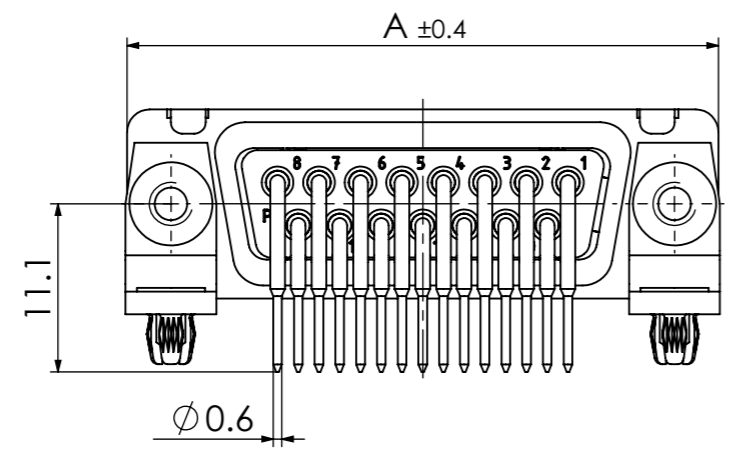
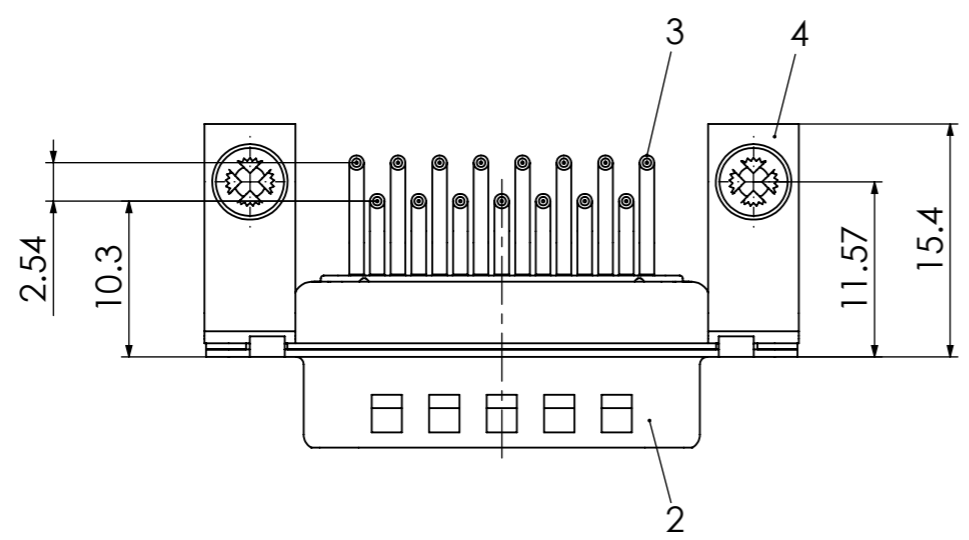
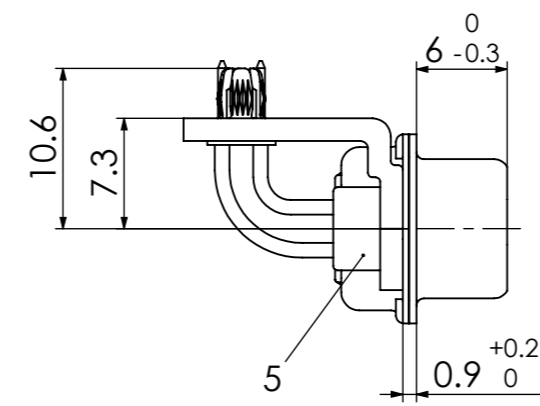
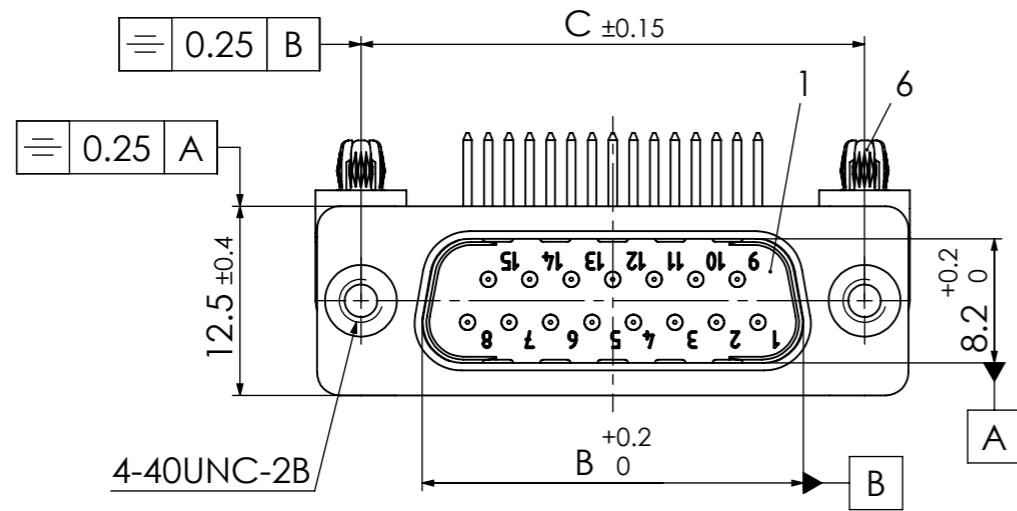


COMMENT:
ALL RIGHTS ARE RESERVED BY US FOR THIS DRAWING. WITHOUT OUR PRIOR CONSENT,
IT MAY NEITHER BE DUPLICATED NOR MADE AVAILABLE TO A THIRD PARTY.
AND IT ALSO MAY NOT BE IMPROPERLY USED BY THE RECEIVER, OR A THIRD PARTY.



Fxx*1)P5Gy*2)-1002

e.g. F37P5G1-1002

- *1) xx No. of contacts 09, 15, 25 or 37
- *2) y for performance classes 1, 2 or 3
(contact cycle for G1/G2/G3 = 500/200/50)

xx	A [mm]	B [mm]	C [mm]	*E [mm]	*F [mm]	*G [mm]	*H [mm]	*J [mm]
09	30.8	16.9	25	ø1	ø3	10.67	9.4	2.54
15	39.1	25.2	33.3					
25	53	38.9	47.04					
37	69.3	55.3	63.5					

*PCB hole patterns, øE, øF, G, H, J on supplement AM0024

RoHS compliant

No.	St.	Part	Type Description/Material	Surface plating/Colour/Class
6	2	Snap-in rivet	PCB 1.6mm / Brass	tin plated
5	2	Clinch nut	MW 4-40 / Steel	tin plated
4	2	Bracket	F1080-13B / Steel	tin plated
3	xx	Signal contact	P5 / Brass	G1/G2/G3
2	1	Shell	Steel	tin plated
1	1	Insulator	PBT (-55°C - +125°C)	white

DRAWN Denzinger 14-11-2002	CHECKED dittell 15-11-2002	 fctgroup.com	SCALE 2:1	TITLE D-Sub Miniature Connector		
			DWG.NO. FxxP5Gy-1002		REV. 1	
			REPLACEMENT FOR: FxxP5Gy-1002 a		PAGES 1	