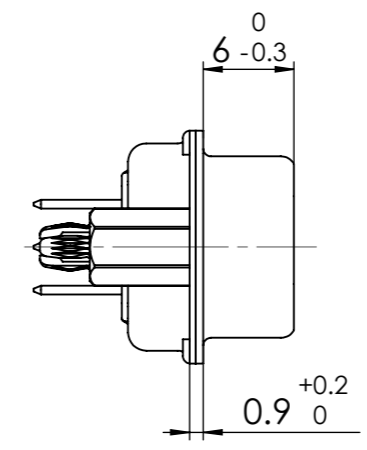
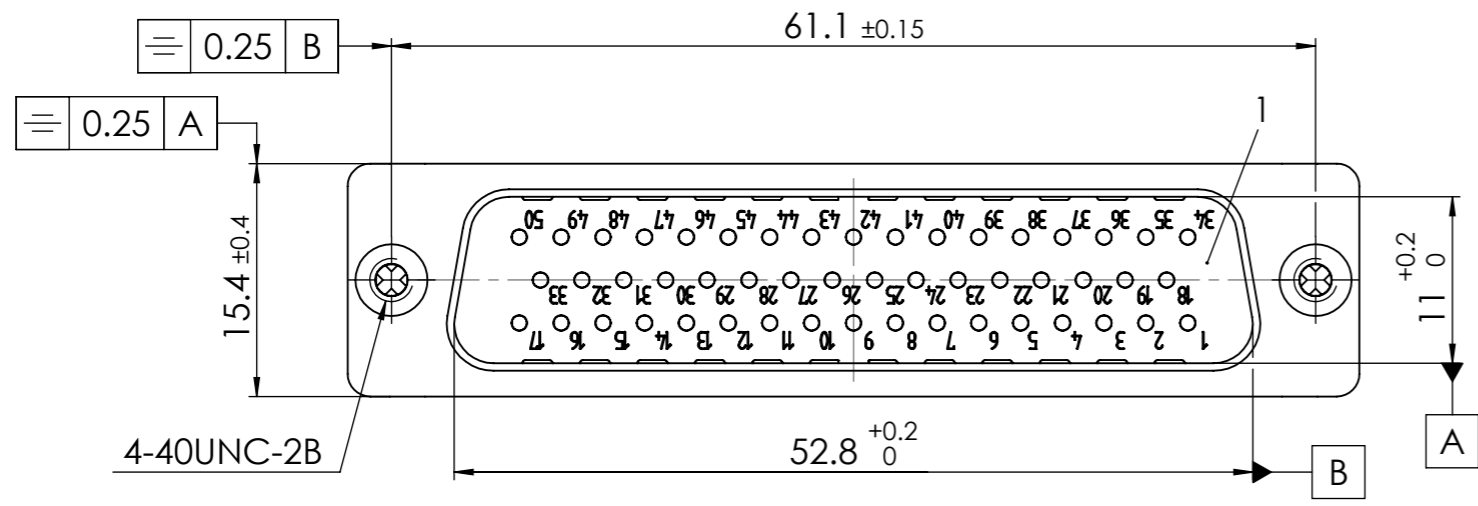
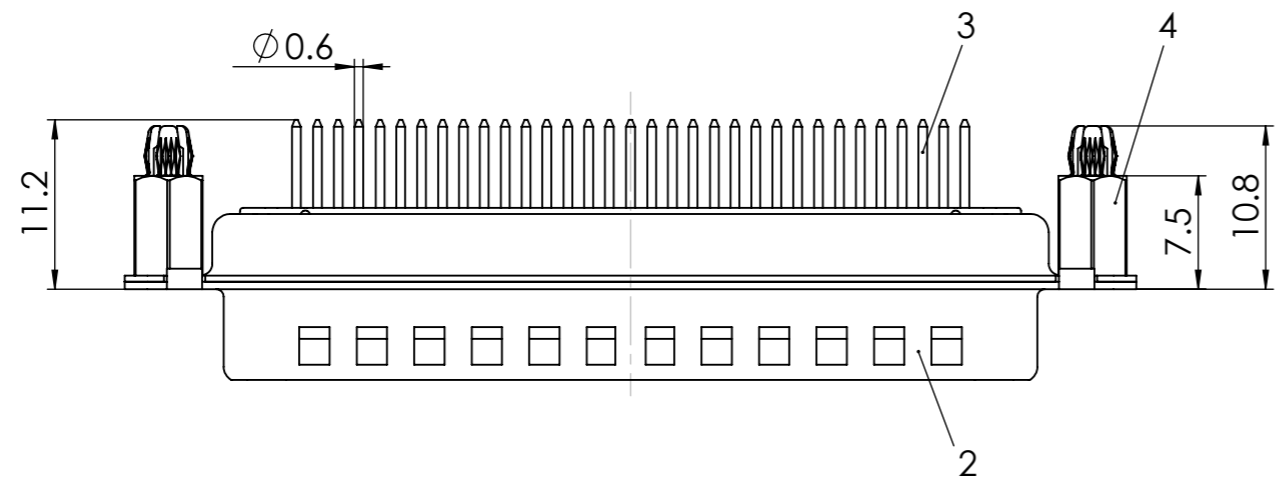


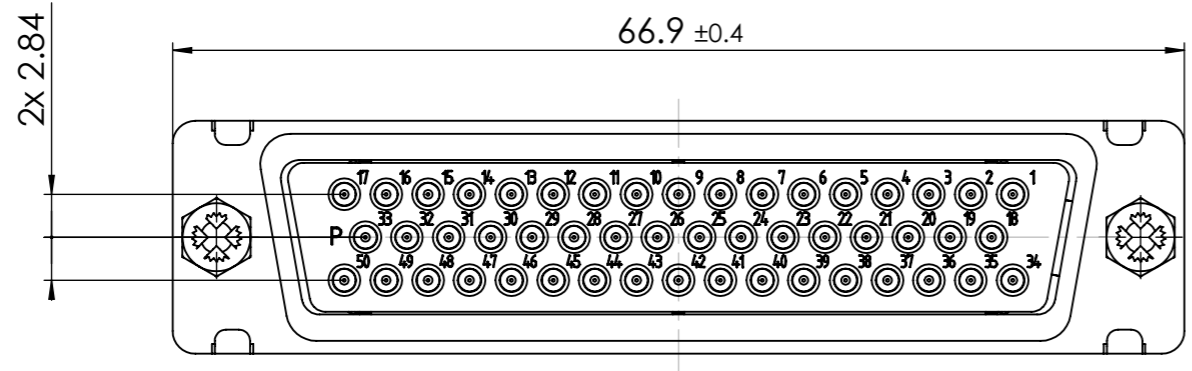
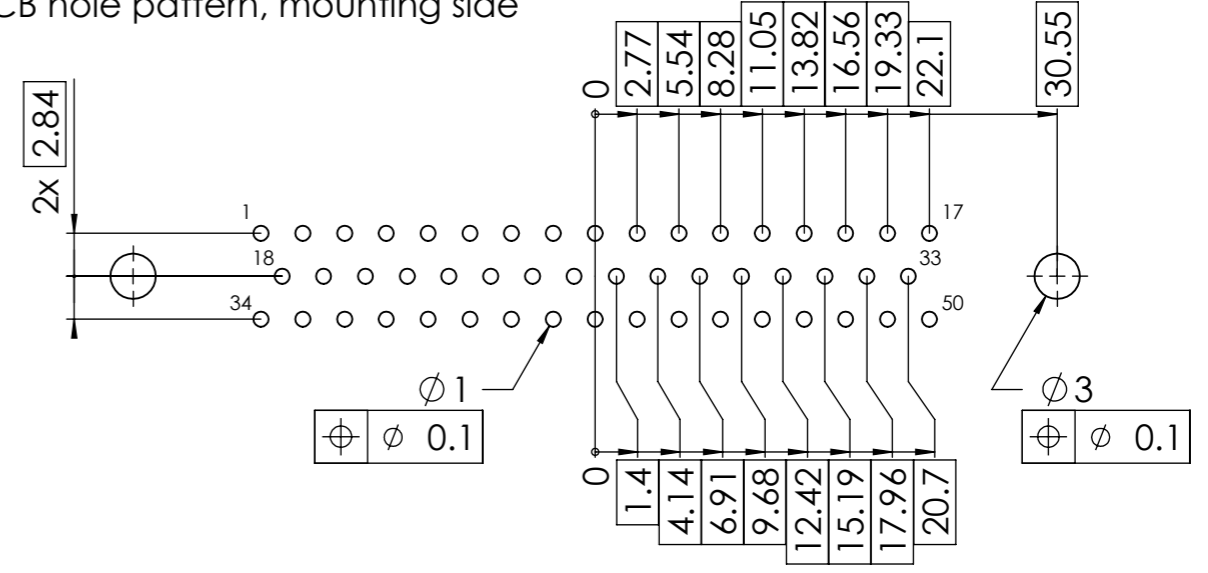
COMMENT: ALL RIGHTS ARE RESERVED BY US FOR THIS DRAWING. WITHOUT OUR PRIOR CONSENT, IT MAY NEITHER BE DUPLICATED NOR MADE AVAILABLE TO A THIRD PARTY. AND IT ALSO MAY NOT BE IMPROPERLY USED BY THE RECEIVER, OR A THIRD PARTY.



RoHS compliant



PCB hole pattern, mounting side



y for performance classes 1, 2 or 3
(contact cycle for G1/G2/G3 = 500/200/50)

No.	St.	Part	Type Description/Material	Surface plating/Colour/Class
4	2	Snap-in bolt	PCB 1.6mm / Brass	tin plated
3	50	Signal contact	P1 / Brass	G1/G2/G3
2	1	Shell	Steel	tin plated
1	1	Insulator	PBT (-55°C - +125°C)	white

		Measurement without tolerance occ. to ISO 2768-m		SCALE	TITLE
				2:1	D-Sub Miniature Connector
		NAME / DATE			
		DRAWN sschref 11-09-2003			
		CHECKED aschiekofer 16-09-2003			
					DWG.NO.
					F50P1Gy-0982
					REV.
					1
1	REV.	DATE	CH.-NO.	ORIGINAL: DIN A3-DRAWING AS A FILE	REPLACEMENT FOR:
					PAGES 1

