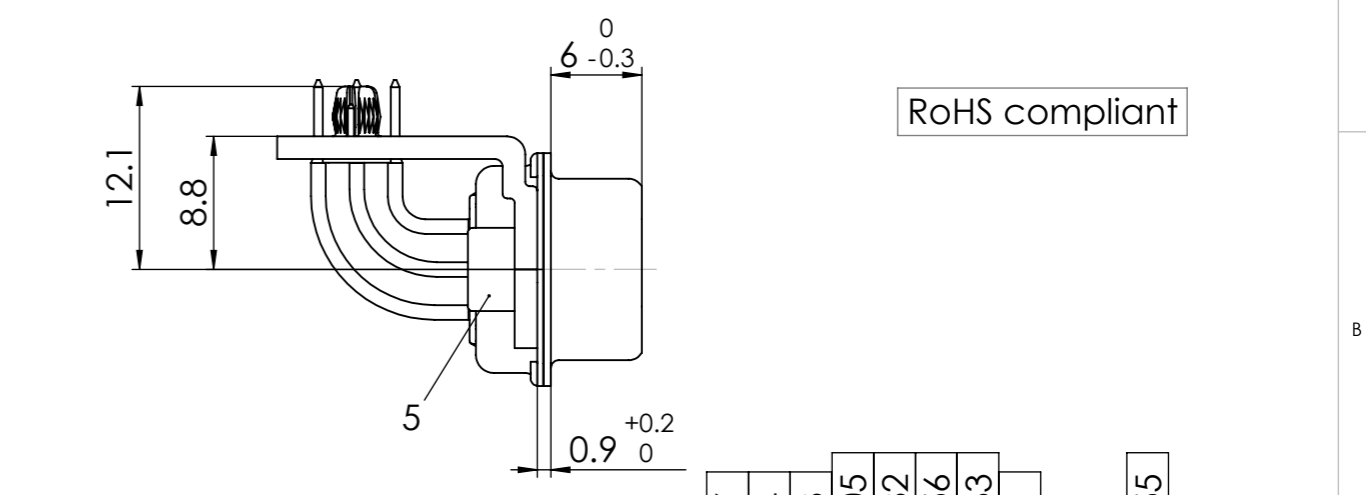
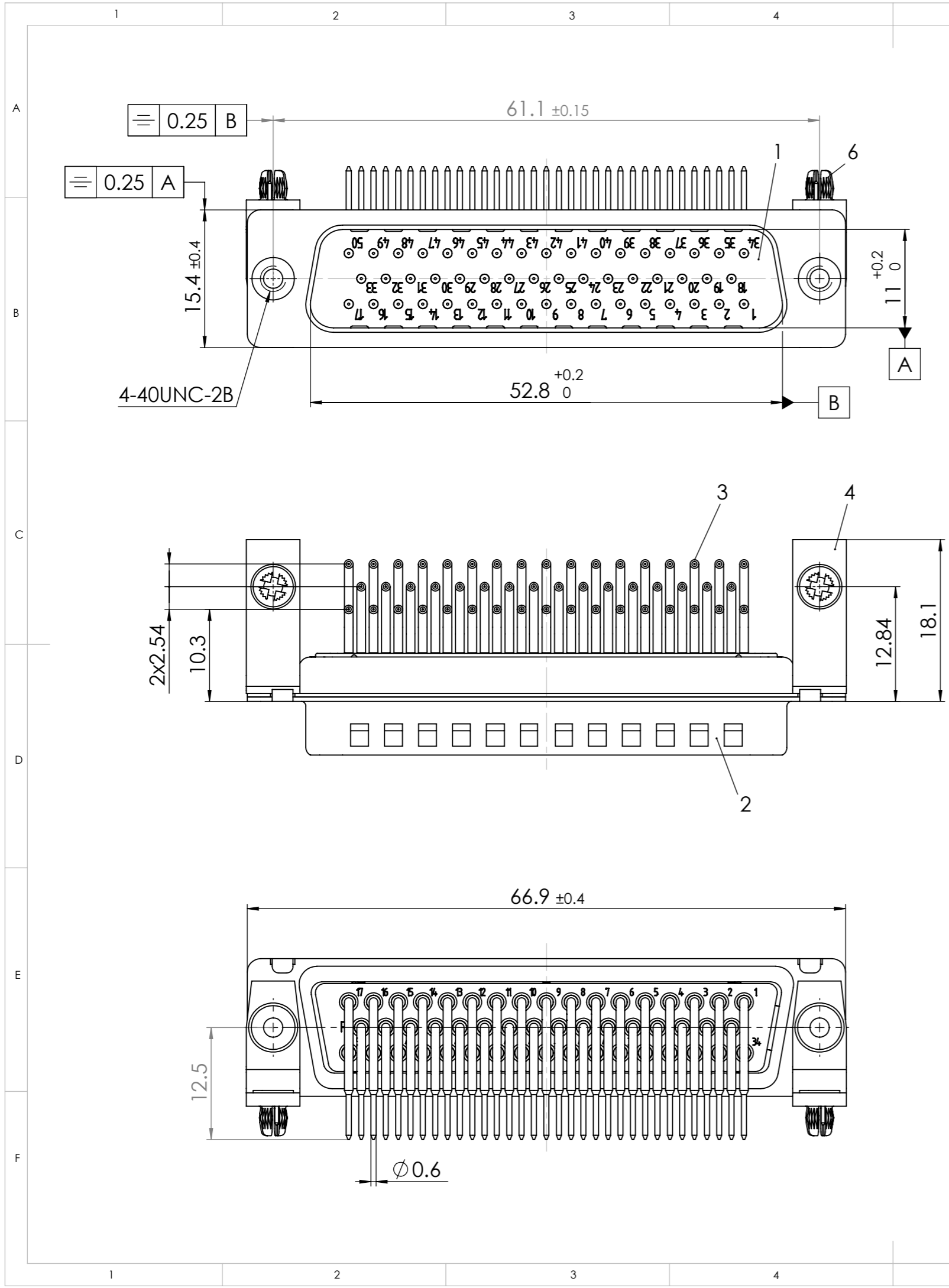
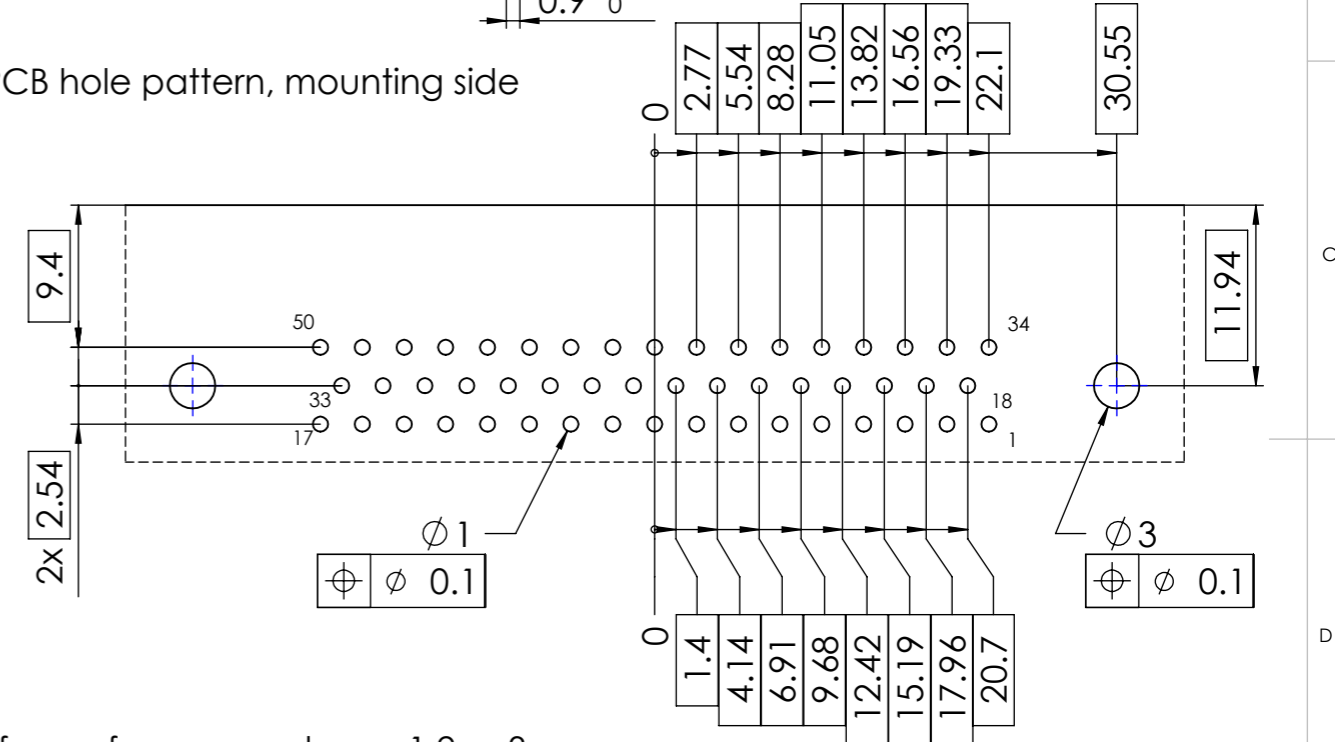


COMMENT: ALL RIGHTS ARE RESERVED BY US FOR THIS DRAWING. WITHOUT OUR PRIOR CONSENT, IT MAY NEITHER BE DUPLICATED NOR MADE AVAILABLE TO A THIRD PARTY. AND IT ALSO MAY NOT BE IMPROPERLY USED BY THE RECEIVER, OR A THIRD PARTY.



PCB hole pattern, mounting side



only for performance classes 1,2 or 3  
(contact cycle für G1/G2/G3=500/200/50)

Continuous ground connection between connector shell and snap-in rivet. ②

No.	St.	Part	Type Description/Material	Surface plating/Colour/Class
6	2	Snap-in rivet	PCB 1.6mm / Brass	tin plated
5	2	Clinch nut	MW 4-40 / Steel	tin plated
4	2	Bracket	F1080-23 / Steel	tin plated
3	50	Signal contact	P5 / Brass	G1/G2/G3
2	1	Shell	Steel	tin plated
1	1	Insulator	PBT (-55°C - +120°C)	white

REV.	DATE	CH.-NO.	ORIGINAL: DIN A3-DRAWING AS A FILE	REPLACEMENT FOR:	PAGES 1
2	14-11-2007	22155			
1					

Measurement without tolerance occ. to ISO 2768-m NAME / DATE DRAWN Denzinger 26-05-2003 CHECKED aschiekofer 15-11-2007	SCALE 2:1 TITLE D-Sub Miniature Connector	DWG.NO. F50P5Gy-1982 REV. 2
---	--	--------------------------------

