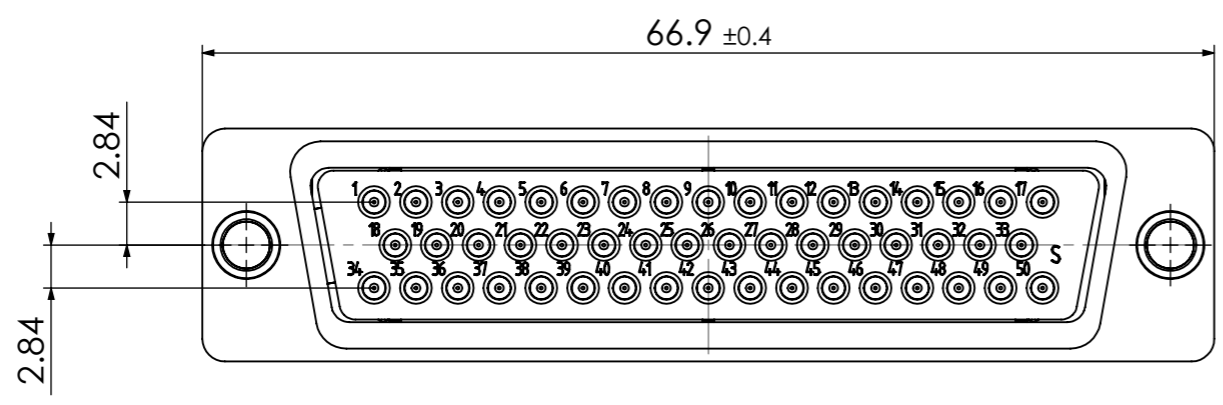
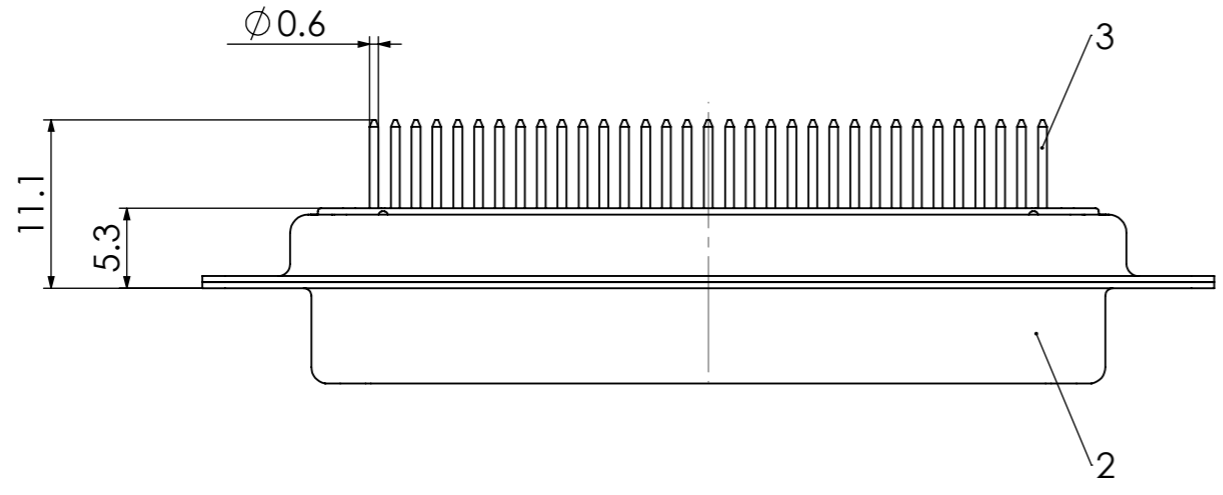
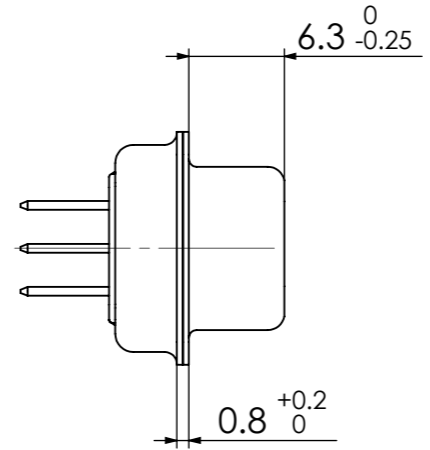
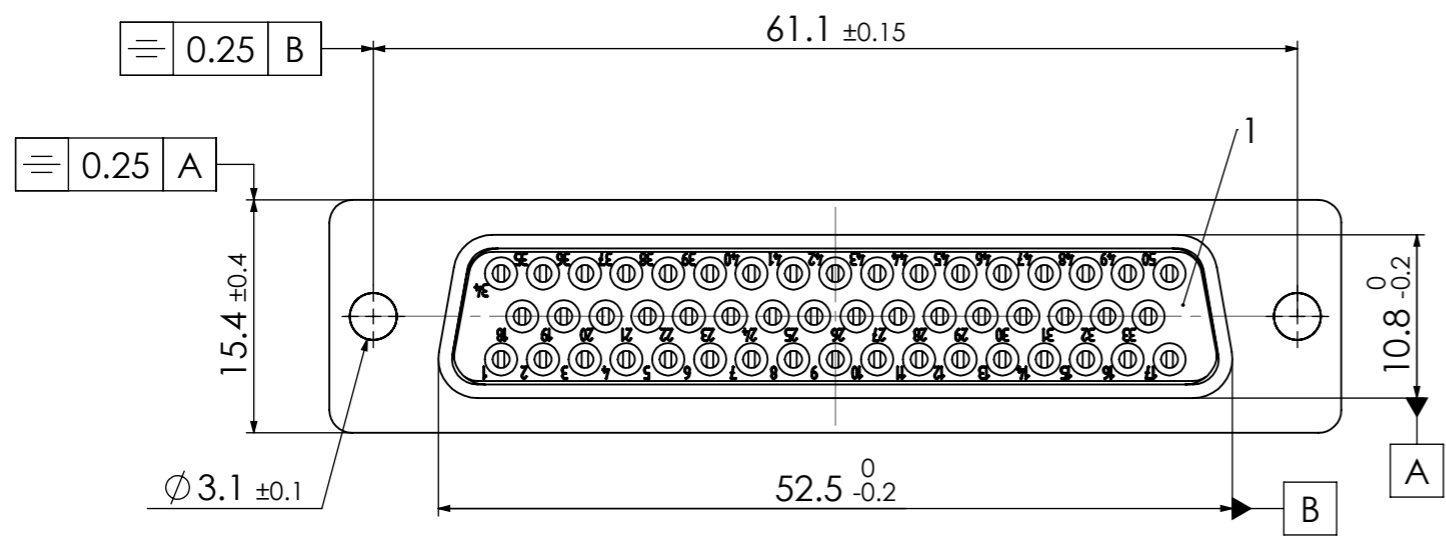
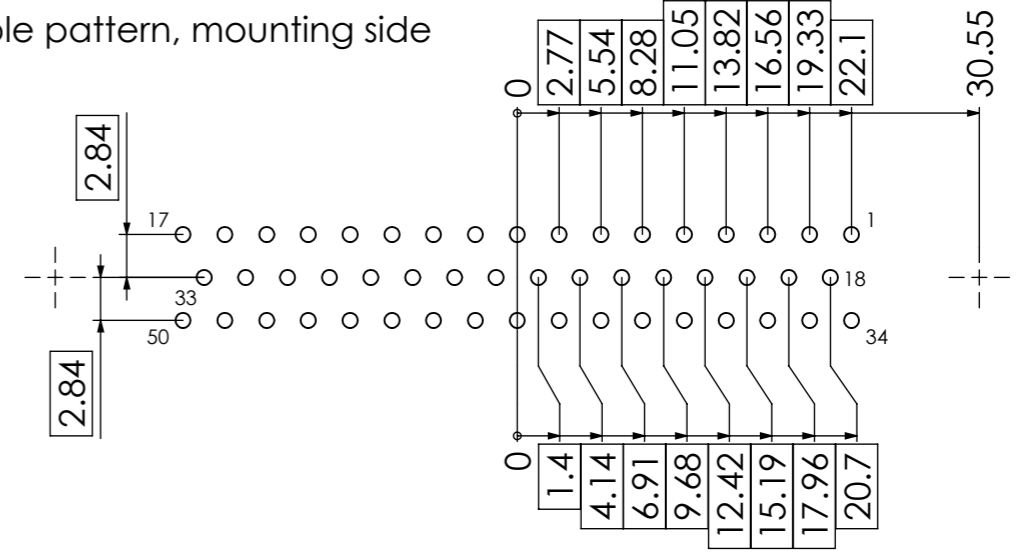


COMMENT: ALL RIGHTS ARE RESERVED BY US FOR THIS DRAWING. WITHOUT OUR PRIOR CONSENT, IT MAY NEITHER BE DUPLICATED NOR MADE AVAILABLE TO A THIRD PARTY. AND IT ALSO MAY NOT BE IMPROPERLY USED BY THE RECEIVER, OR A THIRD PARTY.



PCB hole pattern, mounting side



for performance classes 1, 2 or 3
(contact cycle for G1/G2/G3 = 500/200/50)

RoHS compliant

No.	St.	Part	Type Description/Material	Surface plating/Colour/Class
3	50	Signal contact	S1 / Brass	G1/G2/G3
2	1	Shell	Steel	tin plated
1	1	Insulator	PBT (-55°C - +125°C)	white

				Measurement without tolerance occ. to ISO 2768-m SCALE 2:1 TITLE D-Sub Miniature Connector
		NAME / DATE DRAWN Denzinger 24-09-2003 CHECKED aschiekofer 25-09-2003		DWG.NO. F50S1Gy REV. 1
1				
REV.	DATE	CH.-NO.	ORIGINAL: DIN A3-DRAWING AS A FILE	REPLACEMENT FOR: