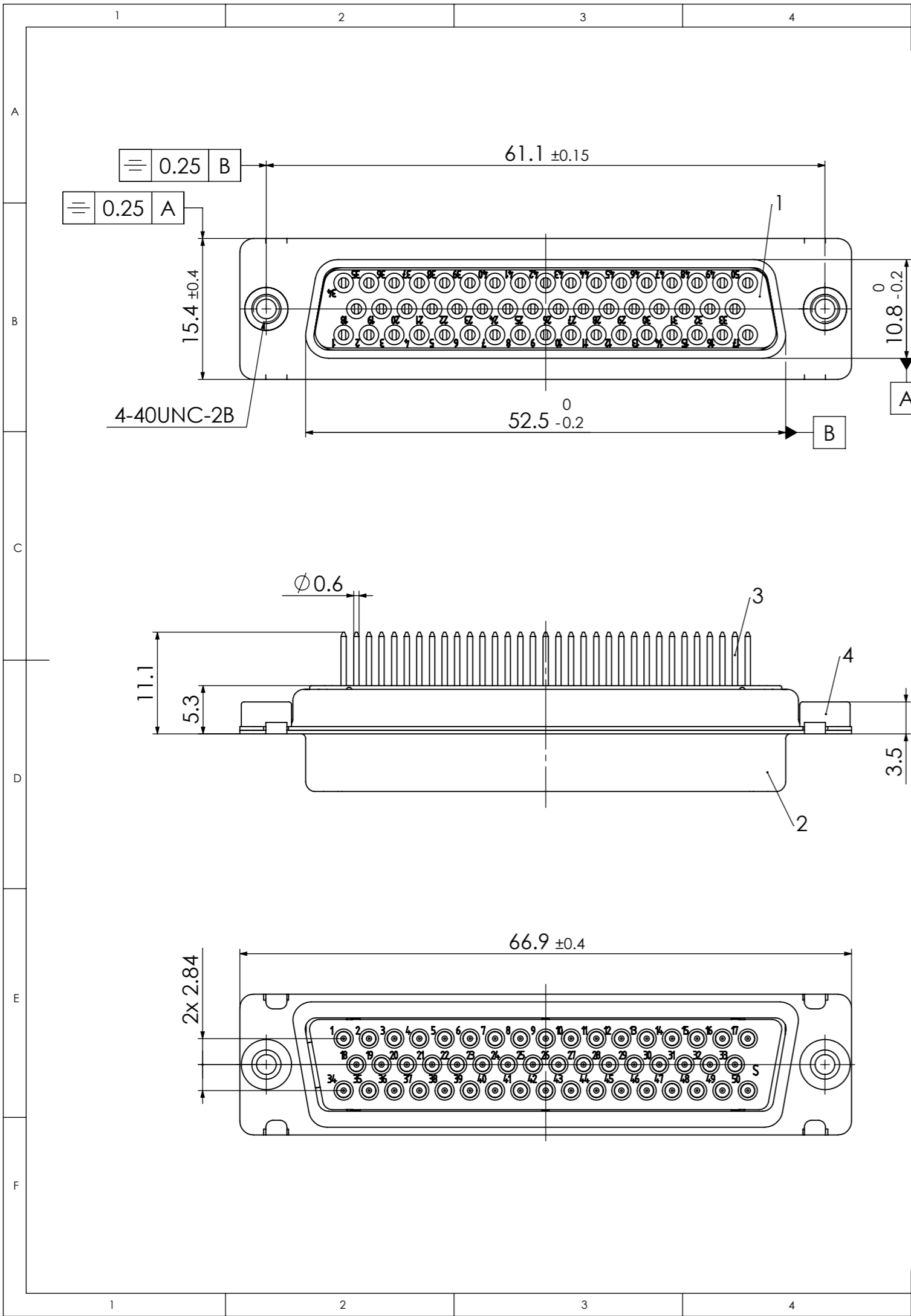
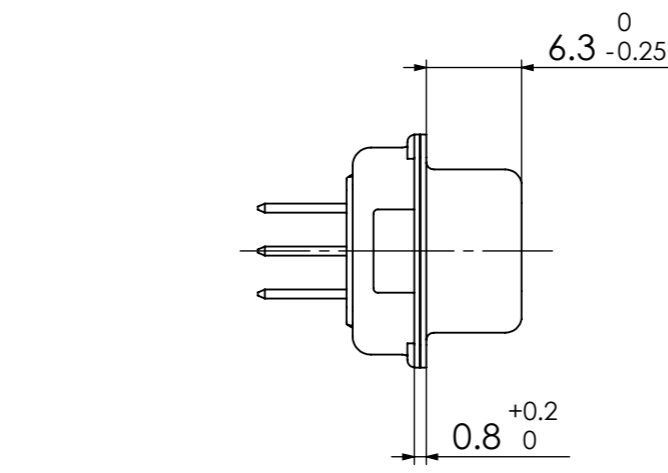


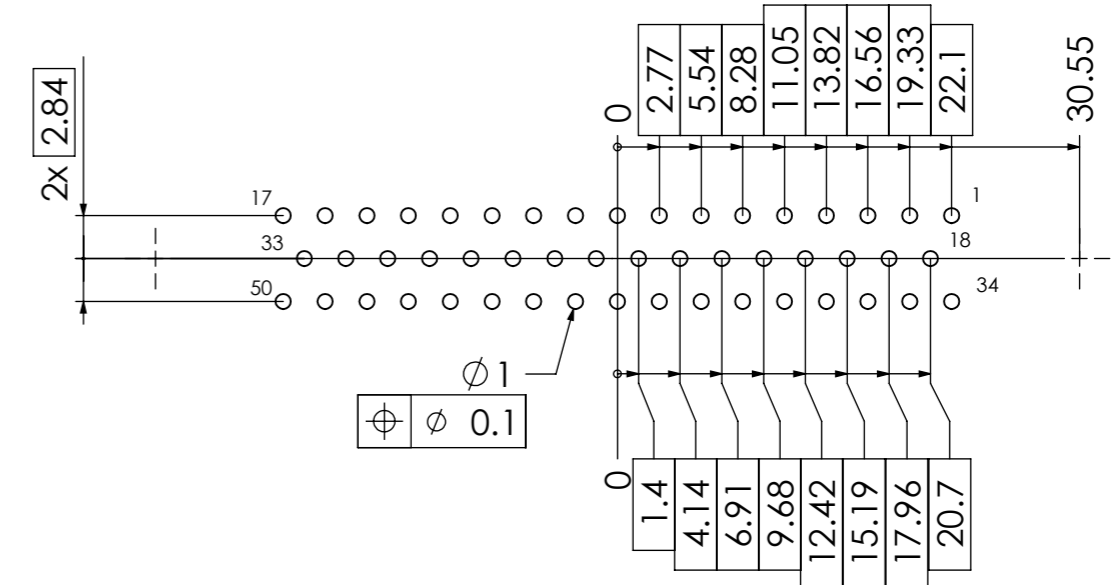
COMMENT:  
 ALL RIGHTS ARE RESERVED BY US FOR THIS DRAWING. WITHOUT OUR PRIOR CONSENT,  
 IT MAY NEITHER BE DUPLICATED NOR MADE AVAILABLE TO A THIRD PARTY.  
 AND IT ALSO MAY NOT BE IMPROPERLY USED BY THE RECEIVER, OR A THIRD PARTY.



RoHS compliant



PCB hole pattern, mounting side



Performance classes 1, 2 or 3  
 (contact cycle for G1/G2/G3 = 500/200/50)

No.	St.	Part	Type Description/Material	Surface plating/Colour/Class
4	2	Clinch nut	FT 4-40 / Steel	tin plated
3	50	Signal contact	S1 / Brass	G1/G2/G3
2	1	Shell	Steel	tin plated
1	1	Insulator	PBT (-55°C - +125°C)	white

REV.	DATE	CH.-NO.	ORIGINAL: DIN A3-DRAWING AS A FILE	REPLACEMENT FOR:	PAGES
1					1

	Measurement without tolerance occ. to ISO 2768-m NAME / DATE Markus Jobst 17-05-2010 CHECKED birgit.rinder 18-05-2010	SCALE 2:1	TITLE D-Sub Miniature Connector	DWG.NO. FT50S1Gy	REV. 1
--	---	--------------	------------------------------------	---------------------	-----------

