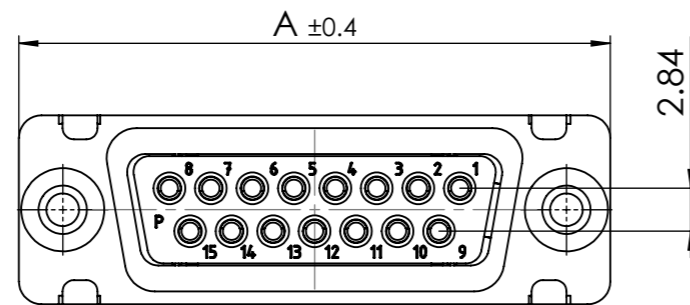
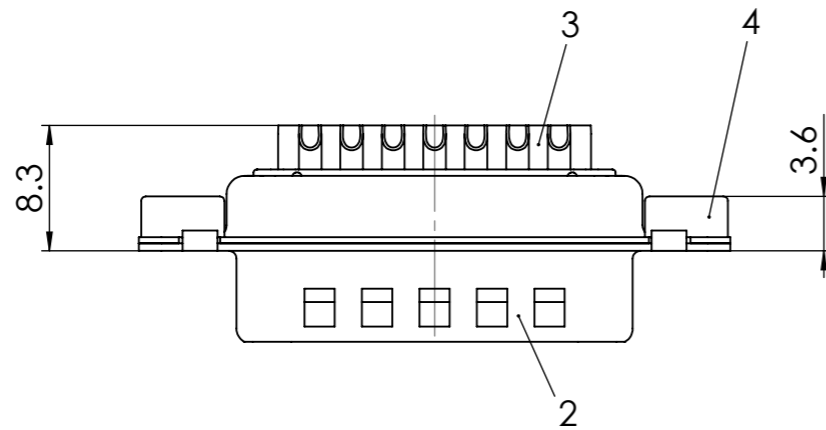
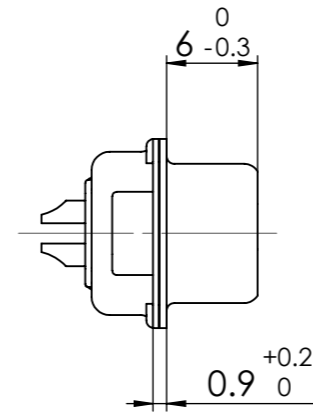
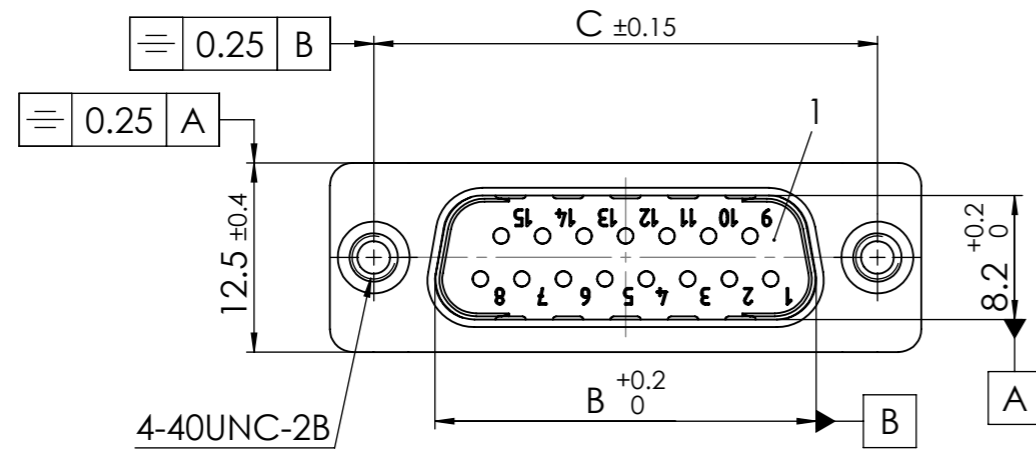


COMMENT:
ALL RIGHTS ARE RESERVED BY US FOR THIS DRAWING. WITHOUT OUR PRIOR CONSENT,
IT MAY NEITHER BE DUPLICATED NOR MADE AVAILABLE TO A THIRD PARTY.
AND IT ALSO MAY NOT BE IMPROPERLY USED BY THE RECEIVER, OR A THIRD PARTY.



FTxx*1)P0Gy*2)
e.g. FT09P0G1

- *1) xx No. of contacts 09, 15, 25 or 37
- *2) y for performance classes 1, 2 or 3
(contact cycle for G1/G2/G3 = 500/200/50)

xx	A [mm]	B [mm]	C [mm]
09	30.8	16.9	25
15	39.1	25.2	33.3
25	53	38.9	47.04
37	69.3	55.3	63.5

RoHS compliant

No.	Sf.	Part	Type Description/Material	Surface plating/Colour/Class
4	2	Clinch nut	FT 4-40 / Steel	tin plated
3	xx	Signal contact	P0 / Brass	G1/G2/G3 / AWG 20
2	1	Shell	Steel	tin plated
1	1	Insulator	PBT (-55°C - +125°C)	white

		Measurement without tolerance occ. to ISO 2768-m		SCALE	TITLE
		NAME / DATE DRAWN Denzinger 27-11-2003 CHECKED fflöBmann 01-12-2003		2:1	D-Sub Miniature Connector
				DWG.NO.	REV.
				FTxxP0Gy	1
1	REV.	DATE	CH.-NO.	REPLACEMENT FOR:	PAGES 1
		ORIGINAL: DIN A3-DRAWING AS A FILE		AA0574 a	