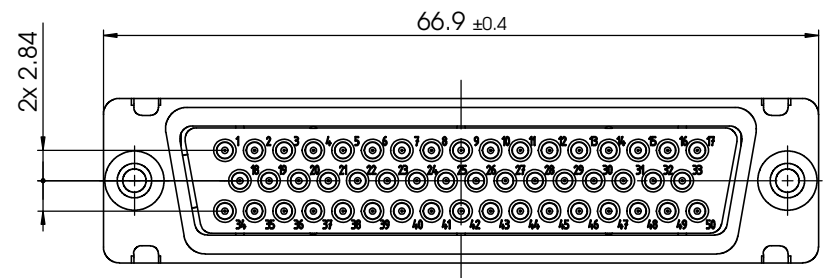
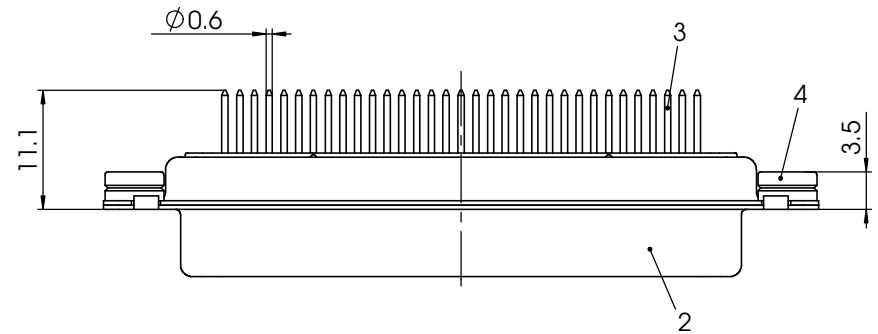
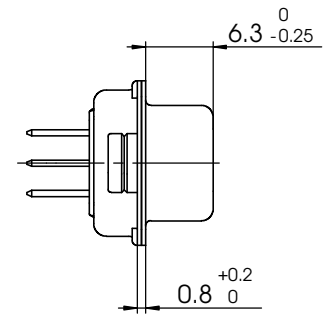
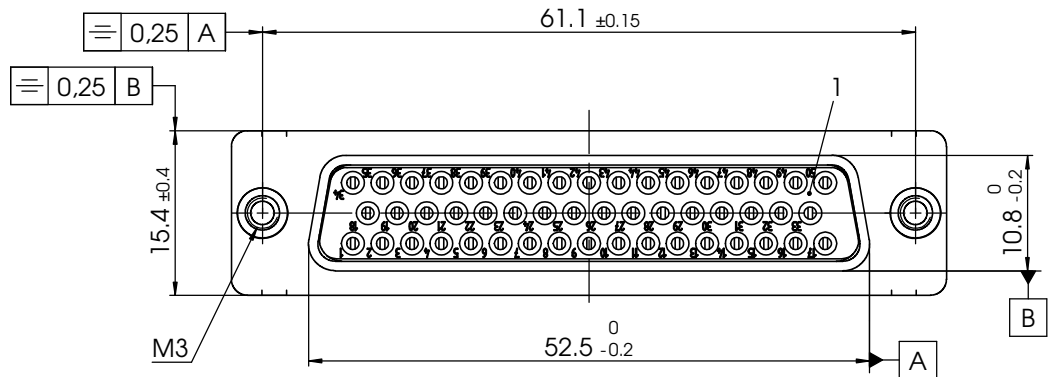
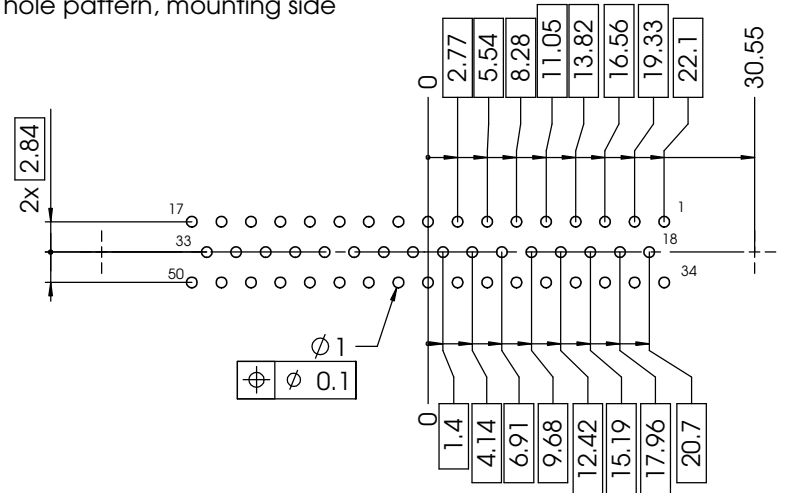


COMMENT:
 ALL RIGHTS ARE RESERVED BY US FOR THIS DRAWING. WITHOUT OUR PRIOR CONSENT,
 THIS DRAWING IS NOT TO BE REPRODUCED, COPIED, TRANSMITTED, OR OTHERWISE
 AND IT ALSO MAY NOT BE IMPROPERLY USED BY THE RECEIVER, OR A THIRD PARTY.



PCB hole pattern, mounting side



for performance classes 1, 2 or 3
 (contact cycle for G1/G2/G3 = 500/200/50)

| | | | | |
|-----|-----|----------------|---------------------------|------------------------------|
| 4 | 2 | Clinch nut | FZ M3 / Steel | tin plated |
| 3 | 50 | Signal contact | S1 / Brass | G1/G2/G3 |
| 2 | 1 | Shell | Steel | tin plated |
| 1 | 1 | Insulator | PBT (-55°C - +125°C) | white |
| No. | St. | Part | Type Description/Material | Surface plating/Colour/Class |

| | | | | | |
|------|------|--------------------------------------|------------------------------------|------------------|---------------------------|
| | | | | SCALE | TITLE |
| | | | | 2:1 | D-Sub Miniature Connector |
| | | NAME / DATE | | | |
| | | DRAWN birgit.rinder 23-10-2007 | | | |
| | | CHECKED sschref 23-10-2007 | | | |
| | | | | DWG.NO. | |
| | | fctgroup.com | | FZ50S1Gy | REV. 1 |
| 1 | | | | | |
| REV. | DATE | CH.-NO. | ORIGINAL: DIN A3-DRAWING AS A FILE | REPLACEMENT FOR: | PAGES 1 |