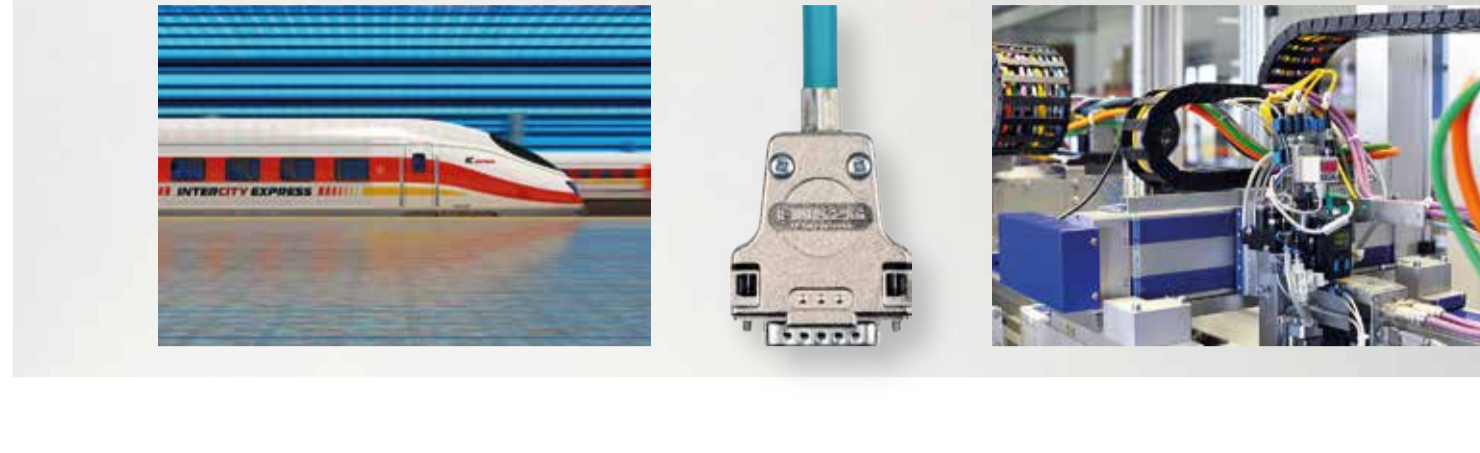


Crimp Flange



- Higher Absorption by Contacting 360° Around the Crimp Flange
- Low Resistance Connection
- Long-term and Safe Screen Contact by Massive Crimp Flange and Crimp Barrel
- Extended Inner Chamber Usable
- Currently Available Cable Diameter: 4 – 12 mm (More on Request)
- High Retention Force
- Resistant to Vibrations and Torsion

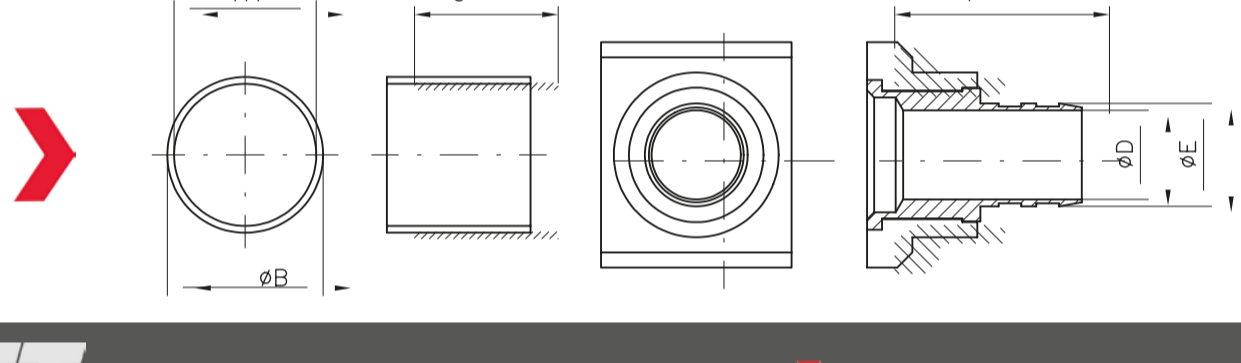


FCT electronic GmbH • Stahlgruberring 29 • 81829 München • Tel.: +49(0)89/420004-0 • sales@fctgroup.com

Products

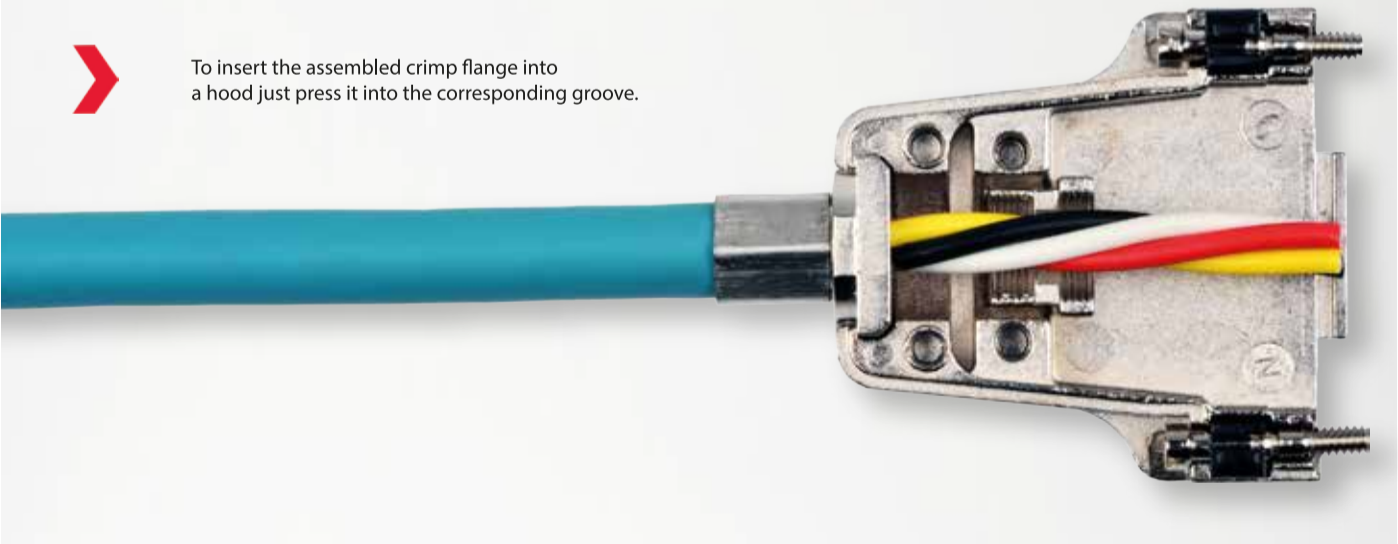


Order Number	Suitable for Hoods	Ø A	Ø B	C	Ø D	Ø E	F ±0,3 ±0.012	Recommended Crimping Dies for M22520/5-01
FCF1/01	FMK1, FMK1G FKC1	—	—	—	0 (0,000)	—	4,2 (0,165)	Blind flange
FCF1/02	FMK1, FMK1G FKC1	9,4 (0,370)	10,3 (0,406)	9,5 (0,374)	5,8 (0,228)	6,8 (0,268)	11,0 (0,433)	Y144
FCF1/03	FMK1, FMK1G FKC1	4,8 (0,189)	5,9 (0,232)	7,0 (0,276)	2,0 (0,079)	3,0 (0,118)	11,0 (0,433)	Y141
FCF1/04	FMK1, FMK1G FKC1	6,6 (0,260)	7,6 (0,299)	9,5 (0,374)	3,0 (0,118)	4,0 (0,157)	11,0 (0,433)	Y195
FCF1/05	FMK1, FMK1G FKC1	6,6 (0,260)	7,6 (0,299)	9,5 (0,374)	3,5 (0,138)	4,5 (0,177)	11,0 (0,433)	Y195
FCF1/06	FMK1, FMK1G FKC1	7,3 (0,287)	8,4 (0,331)	7,0 (0,276)	4,0 (0,157)	5,0 (0,197)	11,0 (0,433)	Y140
FCF2/01	FMK2 - FMK3 FMK2G - FMK3G	7,3 (0,287)	8,4 (0,331)	7,0 (0,276)	4,0 (0,157)	4,0 (0,157)	12,0 (0,472)	Y140
FCF2/02	FMK2 - FMK3 FMK2G - FMK3G	9,4 (0,370)	10,3 (0,406)	9,5 (0,374)	6,0 (0,236)	7,0 (0,276)	12,0 (0,472)	Y144
FCF2/03	FMK2 - FMK3 FMK2G - FMK3G	12 (0,472)	13 (0,512)	9,5 (0,374)	8,0 (0,315)	9,0 (0,354)	12,0 (0,472)	Y148
FCF2/05	FMK2 - FMK3 FMK2G - FMK3G	—	—	—	0 (0,000)	—	5,1 (0,201)	Blind flange
FCF3/01	FMK4 - FMK5 FMK4G - FMK5G	9,4 (0,370)	10,3 (0,406)	9,5 (0,374)	6,0 (0,236)	7,0 (0,276)	12,0 (0,472)	Y144
FCF3/02	FMK4 - FMK5 FMK4G - FMK5G	12 (0,472)	13 (0,512)	9,5 (0,374)	8,0 (0,315)	9,0 (0,354)	12,0 (0,472)	Y148
FCF3/03	FMK4 - FMK5 FMK4G - FMK5G	15 (0,591)	16 (0,630)	9,5 (0,374)	10,0 (0,394)	11,0 (0,433)	12,0 (0,472)	Y1774
FCF4/01	FKC1G, FKC2G	9,4 (0,370)	10,3 (0,406)	9,5 (0,374)	5,8 (0,228)	6,8 (0,268)	15,2 (0,598)	Y144



Assembly Instruction

- Remove the jacket to the correct length.
- Reduce the braid to approx. 5mm (0.197"). Please keep the foil screen if available. Tool: Braid Scissor, FZH013
- Fold the braid back over the cable jacket.
- Slide the crimp barrel forward over the folded braid.
- Insert the crimp flange underneath the braid and cable jacket until it reaches its end position. Please mind to hold the crimp barrel in position. Tool: Crimp Flange Mounting Tool F3831.01 with corresponding insert.
- Complete the crimping process by using the specified FCT tool. If available please cut the foil screen. Tools: Crimp Tool M22520/5-01; Crimp Dies, e.g. Y144



Tools

- Cable Scissor FZH014**
FCT's Cable Scissor FZH014 is suitable to cut cable up to a diameter of 12mm (equivalent to 10mm² and AWG 8).
- Braid Scissor FZH013**
The FZH013 Braids Scissor from FCT with curved blades is designed to cut braid and foil screen accurately.
- Crimp Flange Mounting Tool F3831.01**
The Crimp Flange Mounting Tool F3831.01 is designed to insert the crimp flange underneath the braid and cable jacket. Each Crimp Flange Mounting Tool will be delivered with suitable inserts for all available FCT Crimp Flanges.
- Crimp Tool M22520/5-01**
FCT provides the Crimp Tool M22520/5-01 in MLL - Quality. Please order suitable crimp dies separately.

